

Fresh light strip module Specification

Model: RL-VM600x24A0706H016-xxx

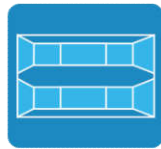
Key Features

- ◇ High efficiency up to 110m/W
- ◇ Various spectrum available: 1800-6000K
- ◇ Macadam 3 steps color bin
- ◇ Solutions for Linear light/Troffer light/Panel light/Wall light
- ◇ Poke in wiring connectors
- ◇ Easy & quick for Parallel or serial wiring
- ◇ Better alternative solutions for fluorescent light

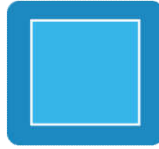
General application



Linear light



Troffer light



Panel light



Wall light

Applied standards



- ◇ EN 62031
- ◇ EMC: EN 55015 EN 61547 EN 61000-3-2 EN 61000-3-3 EN 61000-4-4 EN 61000-4-5
- ◇ EMI: EN55015 EN61000-3-2 EN61000-3-3
- ◇ EMS: EN61547
- ◇ EMF: EN62493

General information

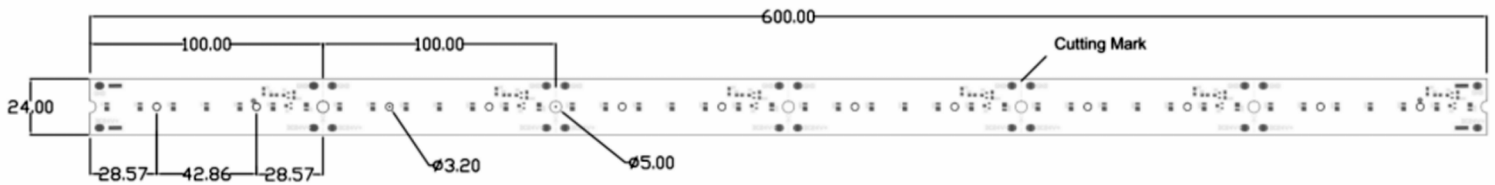
P/N	Size	Voltage -Vdc	Current -mA		Power -W		Flux	Efficiency	CCT	CRI
	mm	Type	Typ	Max	Typ	Max	Lm	Lm/W	K	-
Beef and Bacon	600*24	24	660	-	16	-	928	58	1800	85
Bread and Cake			660	-	16	-	1152	72	2200	90
Fresh meat			660	-	16	-	976	61	3000	70
Frozen meat			660	-	16	-	992	62	3300	80
Deep color Vegetables			660	-	16	-	1598	98	3000	95
Light color Vegetables			660	-	16	-	1760	110	4000	90
Seafood			660	-	16	-	1760	112	6000	90
Frozen Seafood			660	-	16	-	1470	92	6500	95

Note: Typical Optical-electronic parameters above @ Ta=25°C

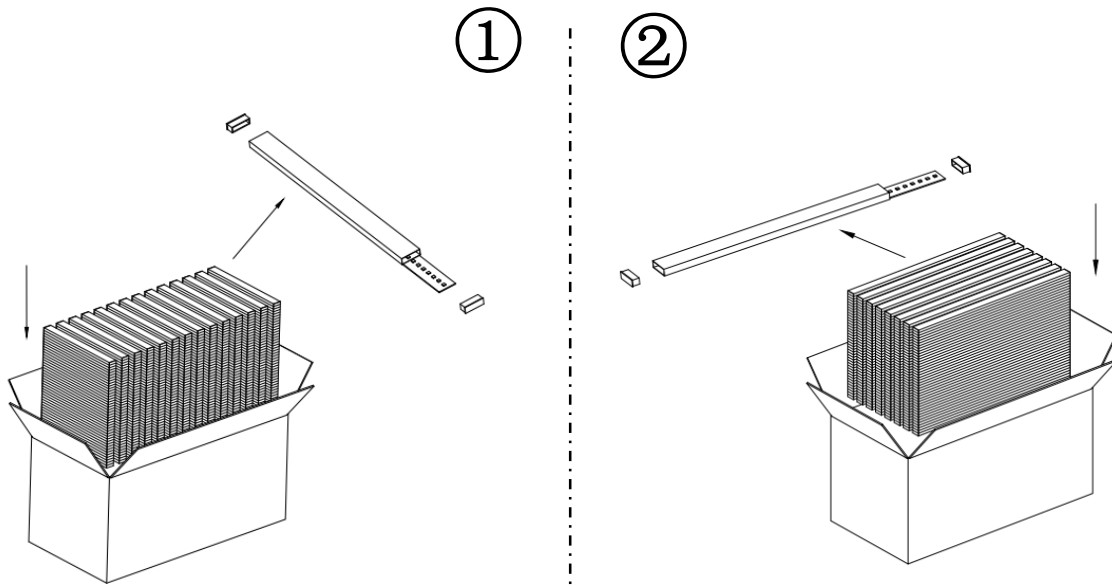
Characteristics

Input	SELV 24V
Rated power	Typical power (±10% tolerance)
Protection	IP20
Storage temperature	-30-85°C
Operation temperature	-30-80°C (Ts of led components)
Beam Angle	120 deg
Connectors	Poke-in Type

Mechanical dimension (Unit: mm)



Package Information



Type	Detail	Per PVC tube	Per carton
RL-VM600x24A	Modules	----pcs	1
	Weight	----Kg	100
	Dimension	----mm	620*26*8mm

Wiring example

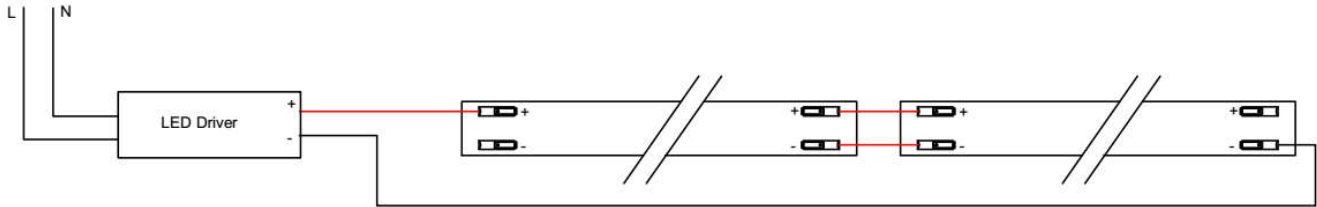
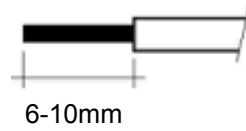


Fig5: Light bar connected in parallel

Wire preparation

0.2–0.75 mm²(AWG24-18)



Safety Information

1. The LED module and all its components shall not be subjected to mechanical stress
2. Correct electrical polarity, or not module may be damaged
3. Ensure the power supply is suitable for the total load.
4. Electrostatic Discharge (ESD) precautions shall be incorporated when handling or installing the module.
5. Installation of LED modules shall be made referring to all applicable electrical and safety standards.
6. Suitable for luminaire of protection class 1, grounding is mandatory to comply with safety standards
7. The AC light engine needs to be mounted to a heat sink with a thermal interface material between them
8. It is better to use the AC led module with safety cover
9. Modules may be hot to the touch. Use caution when handling.

Shenzhen Relight Technology Co.,Ltd

6th Floor, Building A, Guancheng Industrial
Park, Gongming Town, Guangming District,
Shenzhen, China

www.relight-tech.com

Sales@relight-tech.com